

Bracket / double post bracket accessories

Static holders

SPECIFICATION

Types

- Type **R**: Clamping jaws at right angle to clamping arm
- Type **P**: Clamping jaws parallel to clamping arm

Steel C45
 blackened
 Cylinder head screws DIN 912
 Centering bushings
 Steel, blackened



INFORMATION

GN 868.1 bracket / double post bracket accessories have been designed for use with GN 864 (see page 1634) pneumatic fastening clamps.

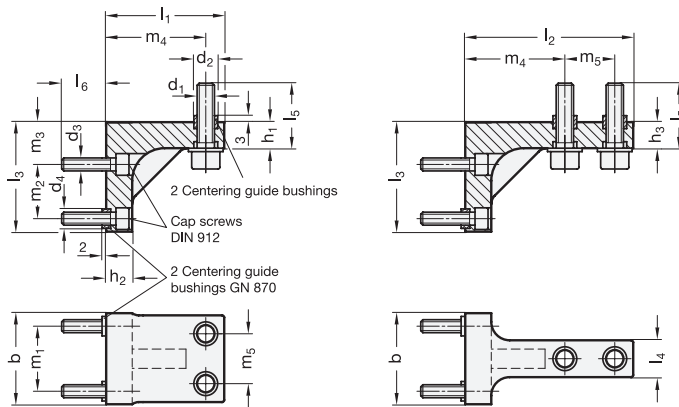
Bracket / double post bracket accessories are equally precisely positioned on the clamping arm as are the GN 872 (see page 1643) jaw block accessories on the holders themselves.

Cap screws and centering guide bushing accessories are included.

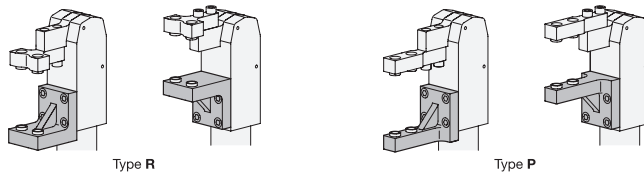


TECHNICAL INFORMATION

- ISO-Fundamental Tolerances (see page A21)



Mounting examples



Type R

Type P

GN 868.1

Description	b -0.2	d1	d2 H8/h6	d3	d4 H8/h6	h1	h2	h3	l1	l2	l3	l4	l5	l6	m1	m2	m3	m4	m5	△
GN 868.1-32-R	32	M 6	9	M 5	7	10	-	-	38	-	37	-	18.5	7.5	22	17	15	31.5	-	170
GN 868.1-42-R	42	M 8	11	M 6	9	12	-	-	54.5	-	50.5	-	23.5	10	30	25	19.5	45.9	-	360
GN 868.1-52-R	52	M 10	13	M 8	11	14	-	-	63	-	61	-	28	13.5	37	30	23.5	53	-	650
GN 868.1-62-R	62	M 10	13	M 10	13	16	-	-	73.5	-	83.5	-	27	13.5	44	47	27	62.5	-	730
GN 868.1-32-P	32	M 6	9	M 5	7	-	10	10	-	55	37	13	18.5	7.5	22	17	15	31.5	17	190
GN 868.1-42-P	42	M 8	11	M 6	9	-	12	14	-	77.5	50.5	17	23.5	10	30	25	19.5	45.9	23	280
GN 868.1-52-P	52	M 10	13	M 8	11	-	14	16	-	93	61	20	28	13.5	37	30	23.5	53	30	450
GN 868.1-62-P	62	M 10	13	M 10	13	-	16	18	-	113.5	85.5	20	29	13.5	44	47	27	62.5	40	780